

BALUSTRADE KITS 4' & 6' (components included in this kit)

Top Rail, Bottom Rail, 2 x Top Brackets, 2 x Bottom Brackets, 2 x J Channel Reinforcements, Foot Block, Pickets 945mm (9 pickets in 4ft kit and 14 pickets in 6ft kit), 16 x Bracket Fixing Screws, 13 x Reinforcement Fixing Screws (one for foot block).

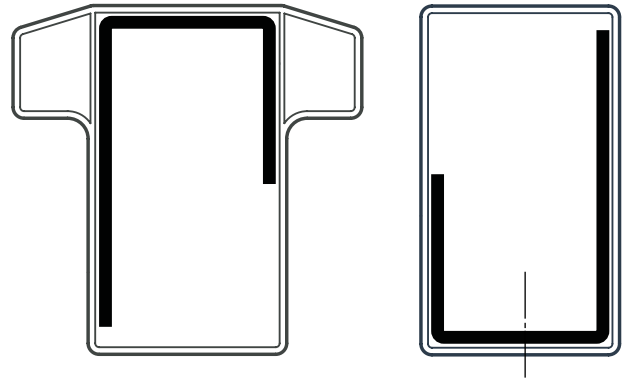
1. Top and bottom rails should be cut to length - Distance between posts minus 15mm, allows for the thickness of two brackets and an expansion gap at each rail end. Gaps between last picket and post should not exceed 100mm. Please see matrix for bar lengths, and distance between Posts that give equal gaps.

Number of Pickets	Nominal bar length 1828mm - Square 92mm Gap		
	Distance Between Posts	Cut Bar Length mm	Bar End to Hole Edge
14	1832	1817	84.5
13	1707	1692	
12	1583	1568	
11	1459	1444	
10	1335	1320	
9	1210	1195	
8	1086	1071	
7	962	947	
6	838	823	
5	713	698	
4	589	574	
3	465	450	
2	341	326	
1	216	201	

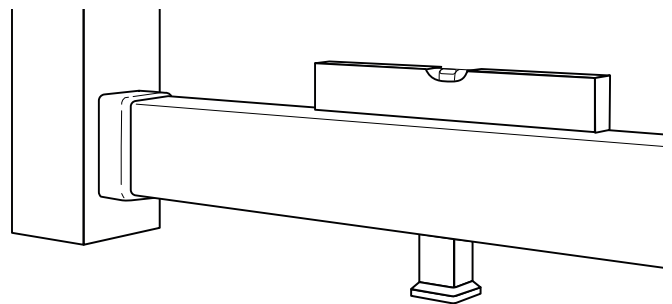
Number of Pickets	Nominal bar length 1219mm - Square 93mm Gap		
	Distance Between Posts	Cut Bar Length mm	Bar End to Hole Edge
9	1220	1205	85.5
8	1095	1080	
7	970	955	
6	845	830	
5	719	704	
4	594	579	
3	469	454	
2	344	329	
1	218	203	

Note: Cuts should be made at both ends to keep the rail routing symmetrical.

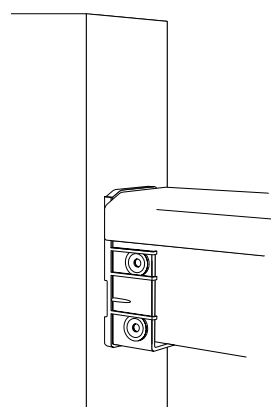
2. J Reinforcement is cut to the same length as the PVC Rail and inserted in the following orientation. Drill 2 x 10mm diameter holes in the base of the bottom rail through the reinforcement to allow for drainage.



3. A foot block is secured to the underside of the bottom rail/ reinforcement at the mid-point using a 4.8mm (no10) x 19mm Self Tapping Screw. The reinforcement should be piloted with a 3.5mm drill.



4. The height of the bottom rail bracket from the deck surface is obtained by placing the rail/foot block assembly into position with a bracket body on one end. When the bottom rail is level mark the position of the bracket onto the Post. Brackets are secured using 4 off 30mm stainless steel countersunk wood screws.



5. Assemble the top and bottom rails together with their pickets and drop the assembly into the bottom rail bracket bodies. Place a bracket body at each end of the top rail marking its position on the Post. It should be possible to lean the rail and picket assembly aside to fit the bracket bodies. Secure using 4 off 30mm stainless steel countersunk wood screws.

6. Ensure that the rails/reinforcement are centrally positioned before securing the rail assembly to the brackets via the side holes in the bracket body with 3 off 4.8mm (no10) x 19mm Self Tapping Screws. The reinforcement should be piloted with a 3.5mm drill.

Note: Only 3 of the 4 bracket holes align with the J-reinforcement.

7. Brackets are finished by clipping on the bracket covers. (care should be taken not to over stress the covers).

